



SHOX5

4800 SEAT INFOSET



4800 SEAT CENTER OF MASS

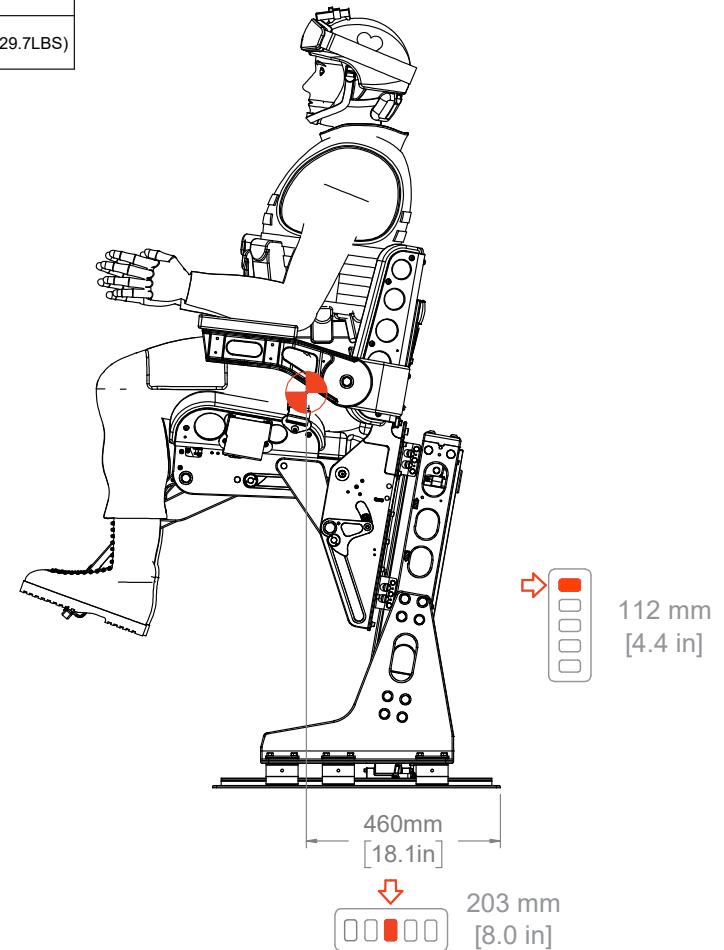
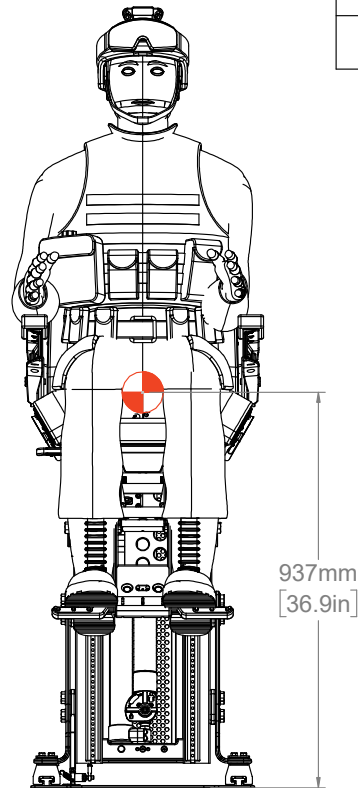
Human Engineering Reference MIL-STD-1472G

Suspension Travel 254 mm / 10 inch

Material Aluminum 316 SS / Titanium

Base Weight 52.6 kg / 116 lb

MASS OF SEAT	52.6KG (115.9LBS)
MASS OF 95TH PERCENTILE MALE	97.2KG (213.8LBS)
TOTAL MASS	149.8KGS (329.7LBS)



 CENTER OF MASS



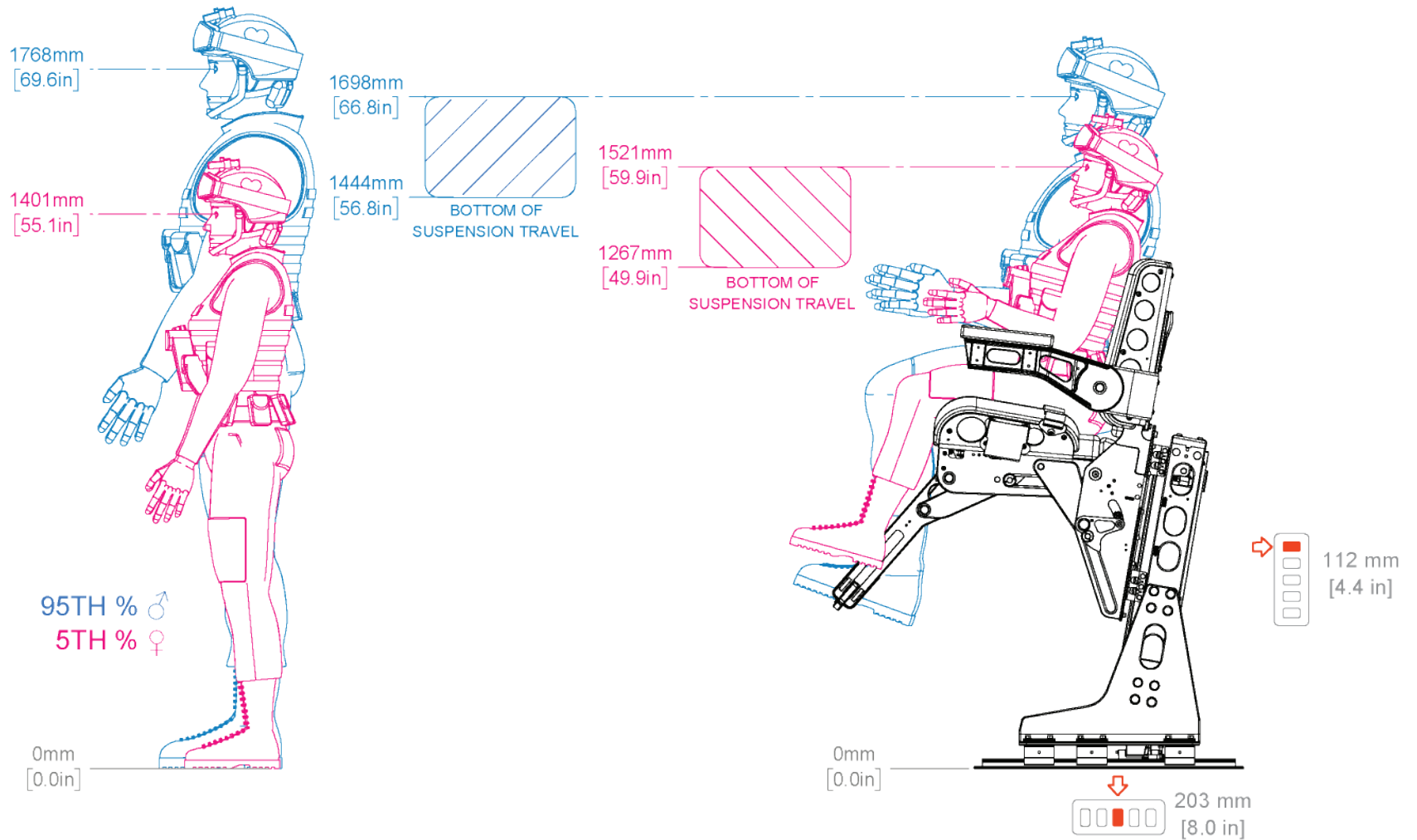
4800 SEAT SIGHTLINES

Human Engineering Reference MIL-STD-1472G

Suspension Travel 254 mm / 10 inch

Material Aluminum 316 SS / Titanium

Base Weight 52.6 kg / 116 lb



ALLSALT MARITIME OWNER OF SHOXS AND KINETIX / ALLSALT.COM / SHOXS.COM / 1 (888) 637.4697



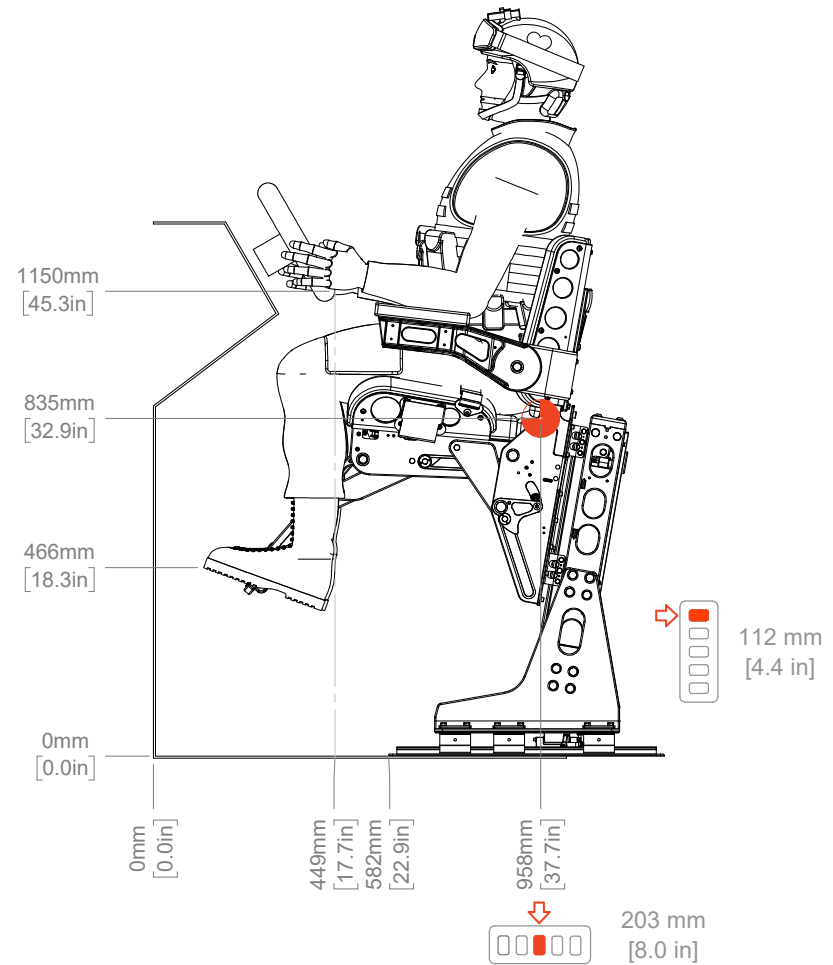
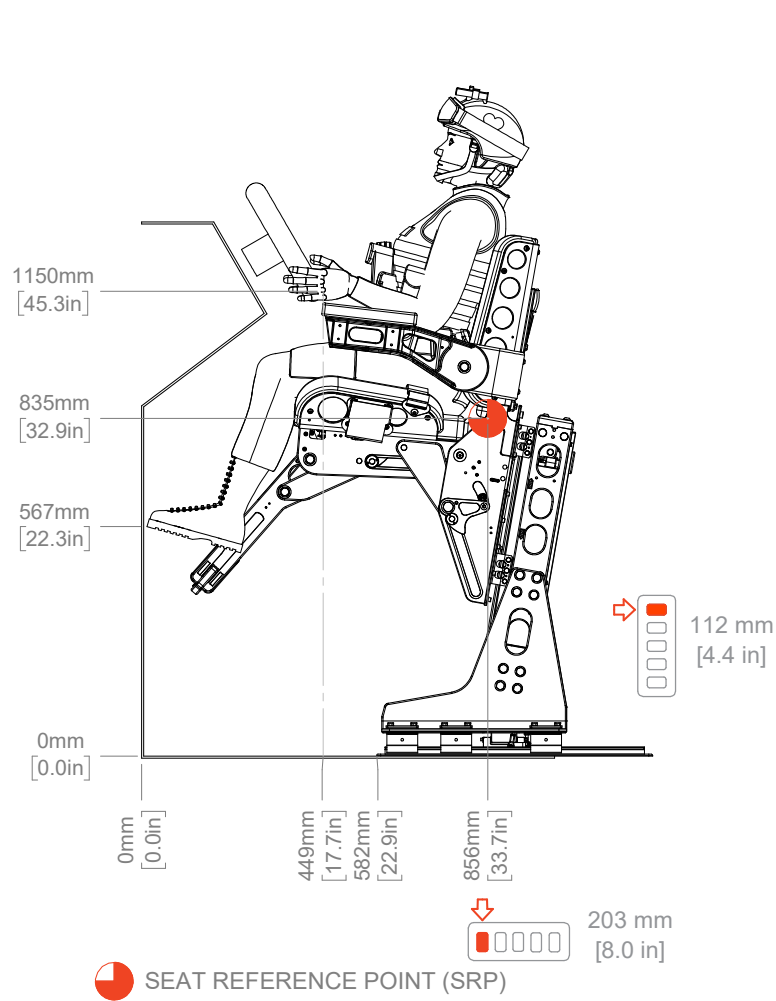
4800 SEAT CONSOLE ERGONOMICS

Human Engineering Reference MIL-STD-1472G

Suspension Travel 254 mm / 10 inch

Material Aluminum 316 SS / Titanium

Base Weight 52.6 kg / 116 lb





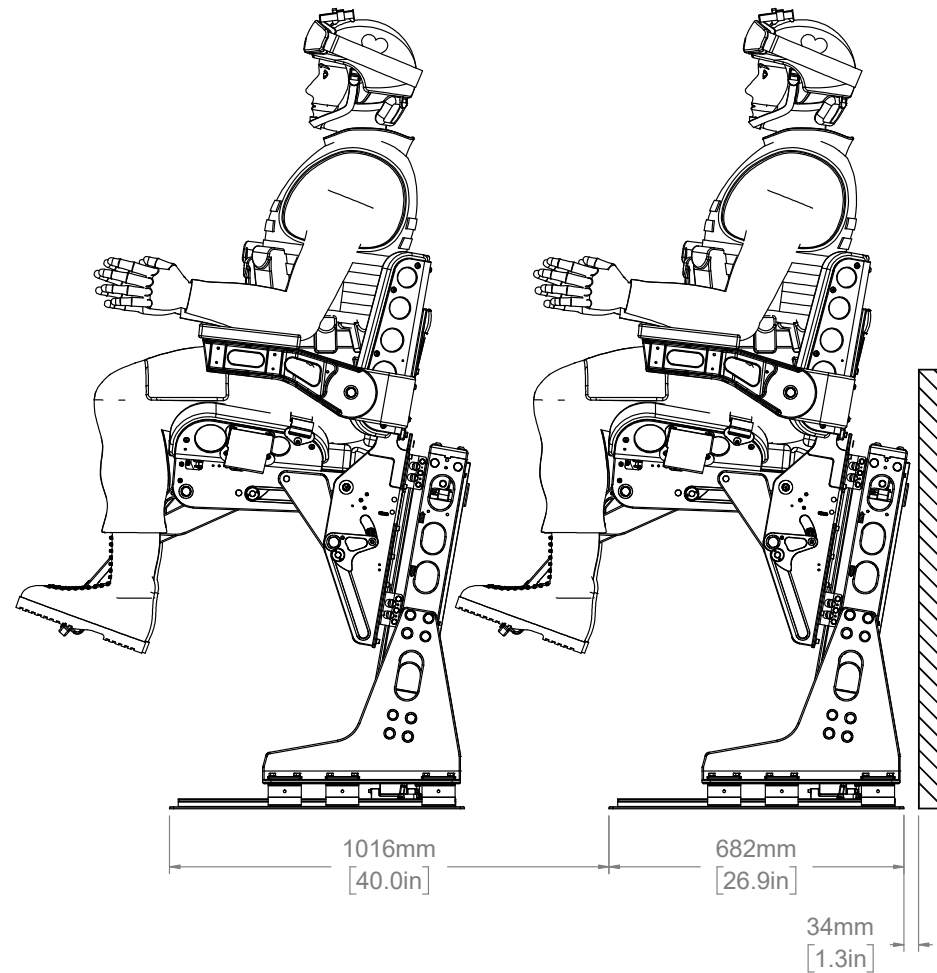
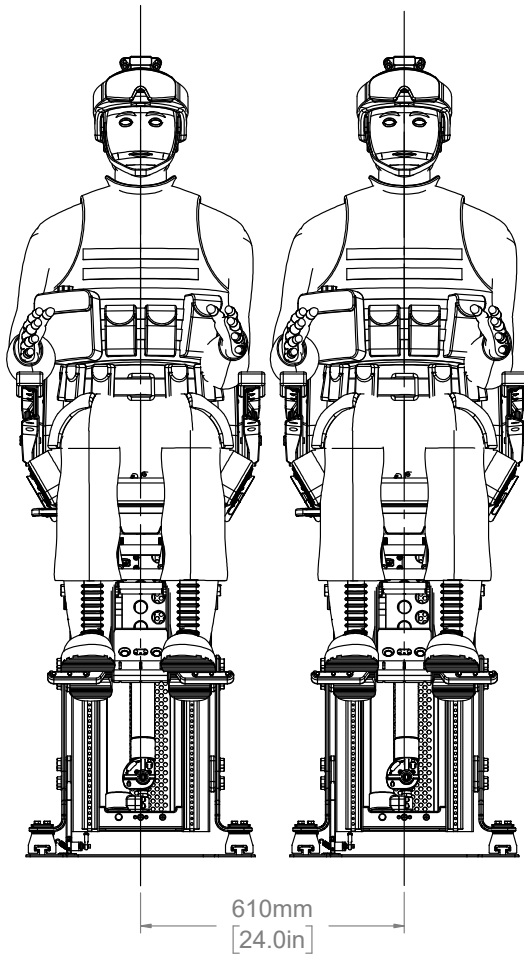
4800 SEAT SPACING

Human Engineering Reference MIL-STD-1472G

Suspension Travel 254 mm / 10 inch

Material Aluminum 316 SS / Titanium

Base Weight 52.6 kg / 116 lb



ALLSALT MARITIME OWNER OF SHOXS AND KINETIX / ALLSALT.COM / SHOXS.COM / 1 (888) 637.4697